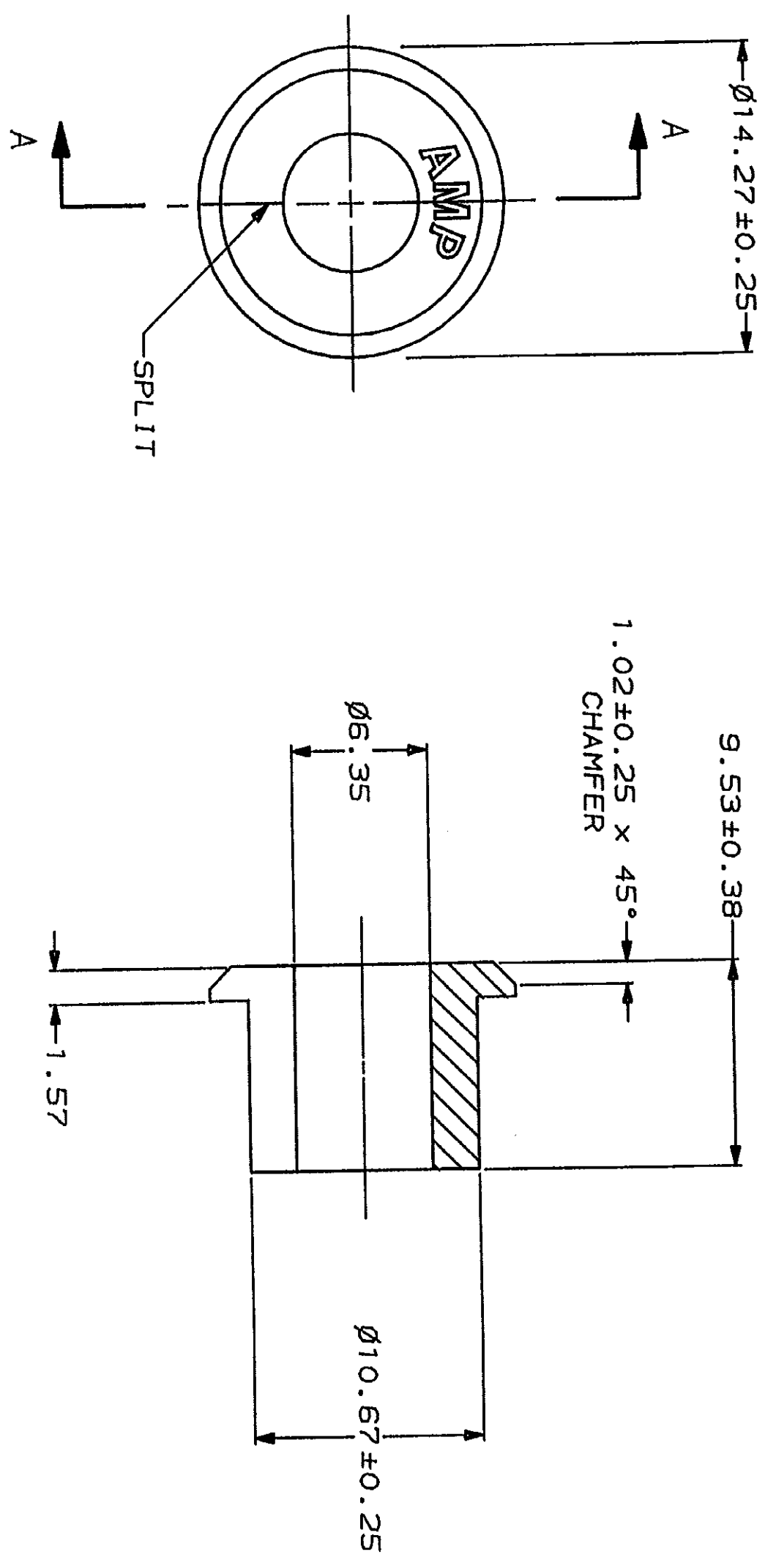
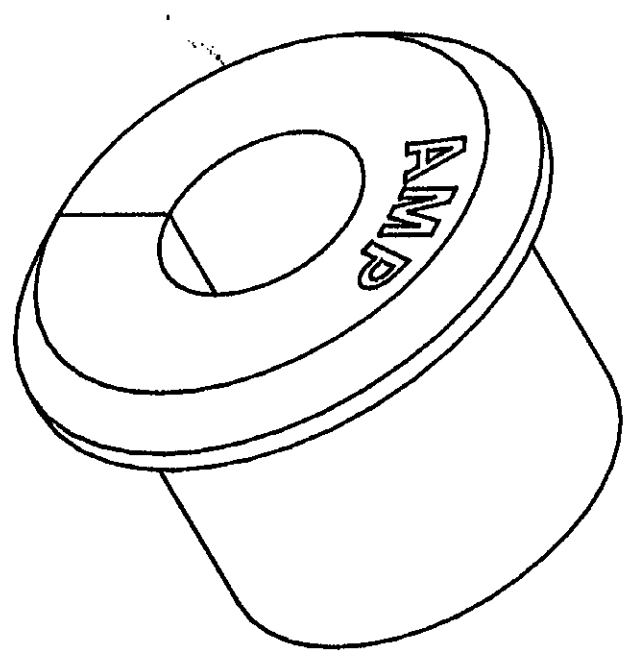
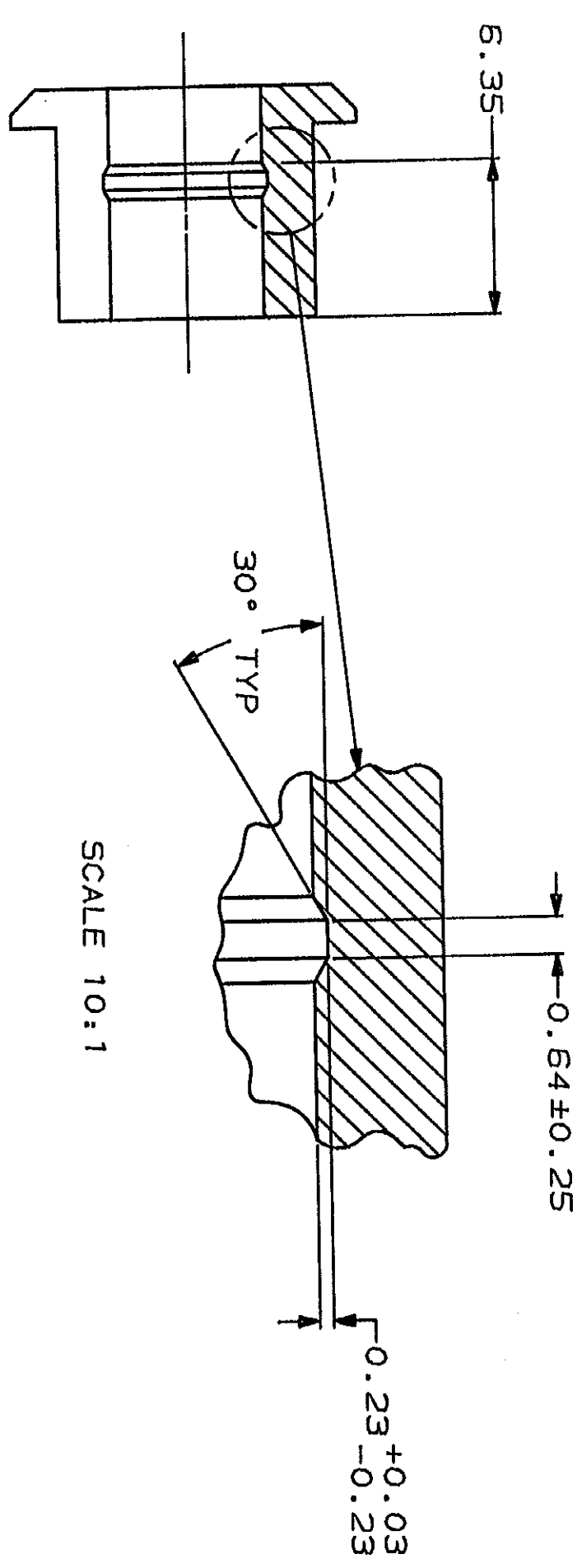


1. USE WITH STRAIN RELIEF 350374. MOLDING COMPOUND PVC, FLEXIBLE, 55/75 DUREMETER (B SCALED), BLACK.



SECTION A-A



3-DIMENSIONAL MODEL NTS

| | | | | | |
|------|------|------|------|-------|------|
| 0.25 | .010 | 1.57 | .062 | 14.27 | .562 |
| 0.23 | .009 | 1.02 | .040 | 10.67 | .420 |
| 0.13 | .005 | 0.64 | .025 | 9.53 | .375 |
| 0.03 | .001 | 0.38 | .015 | 6.35 | .250 |
| MM | IN | MM | IN | MM | IN |

CONVERSION TABLE

METRIC

| | | | |
|--|----------------------------------|------------|----------------------|
| DO NOT SCALE PRINT. UNLESS SPECIFIED DIMENSIONS IN MM [INCHES] | DR <i>K. Whitaker</i> 12-7-89 | NAME | AMP INCORPORATED |
| TOLERANCES ON: | CHK <i>K. Whitaker</i> 12-8-89 | SIZE | GROMMET, SPLIT, M.R. |
| 1 PLC DEC ± 0.13 | APPD <i>K. Whitaker</i> 12-11-89 | CAGE CODE | 350379 |
| 2 PLC DEC ± 0.13 | PRODUCT SPEC | DRAWING NO | 350379 |
| 3 PLC DEC ± 1*0° | APPLICATION SPEC | SCALE | 4:1 |
| ANGLES ± 1*0° | WEIGHT | SHEET | 1 OF 1 |
| MATERIAL | | | |
| FINISH | | | |

PART NO 1-350379-1

350379